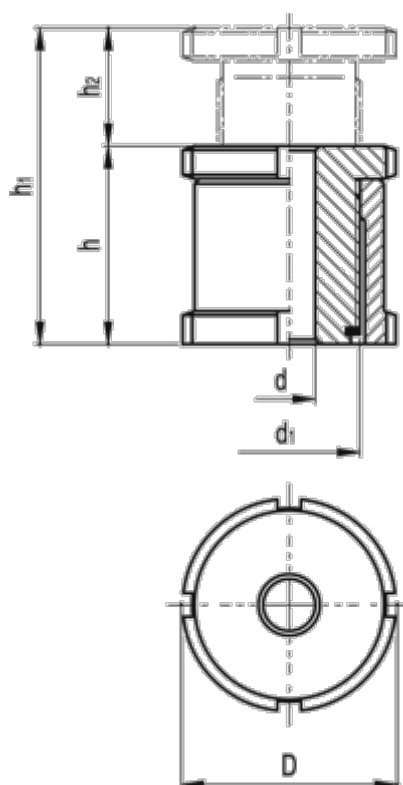


# Data Sheet



Article number: 20660259B  
Description: E+G Levelling set  
GN 350-70-26-A-ST

## Measures



C-spanner DIN 1810 = A68-75  
 $d$  = 26.0  
 $D$  = 70  
 $d_1$  = M50x1,5  
For screw = M24  
 $h$  = 66  
 $h_1$  = 106  
 $h_2$  = 40

Max static load (N) = 330.0  
Static preload (N) = 157.0  
Weight (g) = 1360